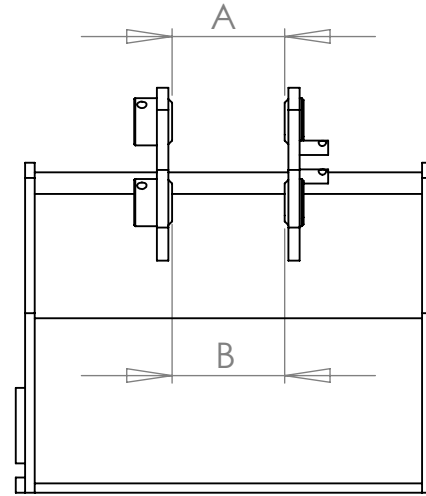
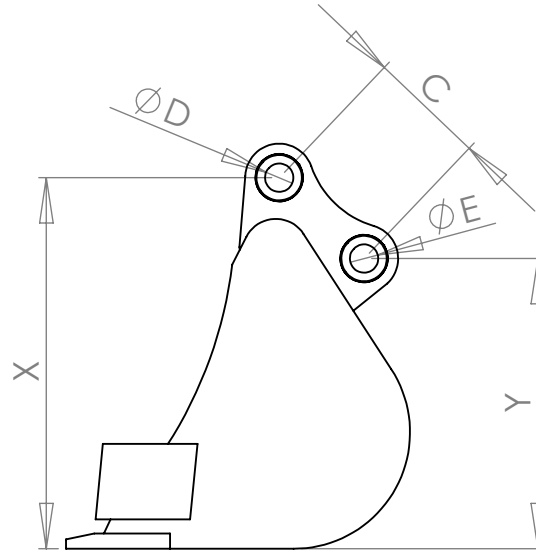
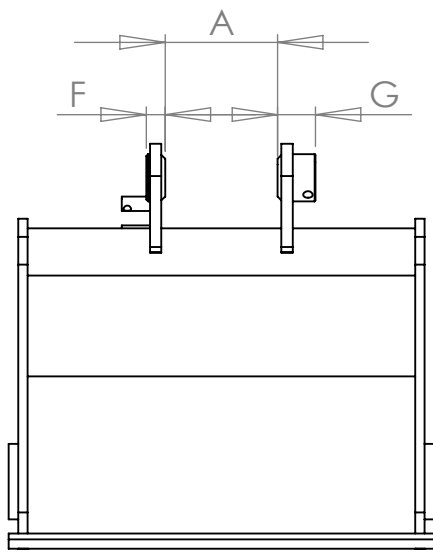
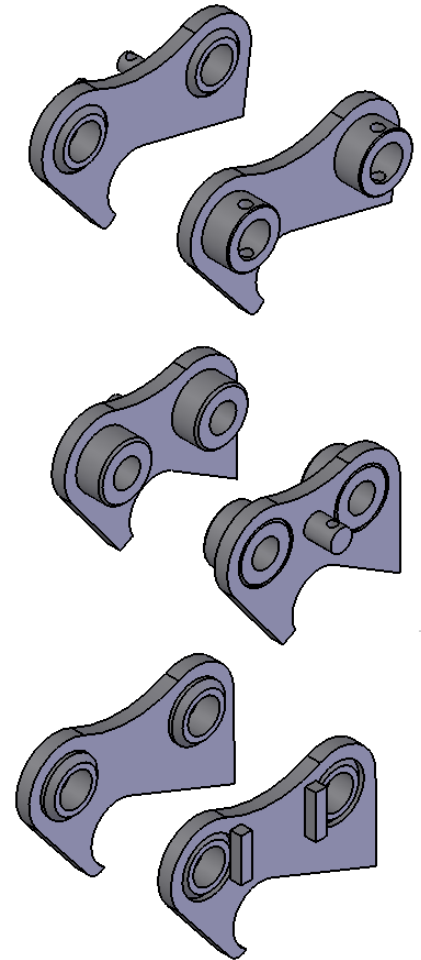


**PIN RETENTION OPTIONS:**

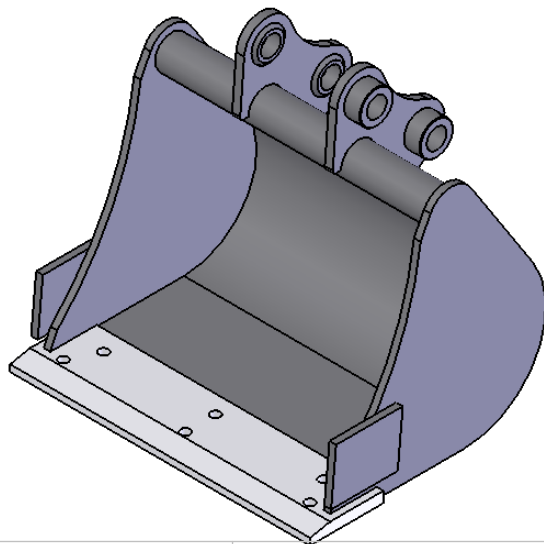
How do your bucket pins lock off?



- A. Dipper Gap
- B. Bucket Link Gap
- C. Pin Centres
- D. Dipper pin diameter
- E. Bucket Link Pin diameter
- F. Boss width (LH)
- G. Boss width (RH)

**Provide ALL above dimensions & fax or email form back to us:**

1. Please supply all dimensions in mm.
2. Please also indicate pin retention type.
3. Provide dimensions "X" and "Y" where requested.



|   |  |  |           |                                   |                      |                   |
|---|--|--|-----------|-----------------------------------|----------------------|-------------------|
| UNLESS OTHERWISE SPECIFIED:<br>DIMENSIONS ARE IN MILLIMETERS<br>SURFACE FINISH:<br>TOLERANCES:<br>LINEAR:<br>ANGULAR: |  |  | FINISH:   | DEBUR AND<br>BREAK SHARP<br>EDGES | DO NOT SCALE DRAWING | REVISION          |
| DRAWN   |  |  | SIGNATURE | DATE                              | TITLE:               |                   |
| CHK'D   |  |  |           | 01 April 2010 13:49:04            |                      |                   |
| APPV'D  |  |  |           |                                   |                      |                   |
| MFG   |  |  |           |                                   |                      |                   |
| Q.A   |  |  |           | MATERIAL:                         | DWG NO.              | <b>Bucket Fit</b> |
|   |  |  |           |                                   |                      |                   |
|   |  |  |           | WEIGHT:                           | SCALE:1:10           | SHEET 1 OF 1      |

